

## 1 Scope

The present specifications shall apply to Sanken silicon diode, RM2C.

## 2 Outline

Type	Silicon Rectifier Diode (Mesa type)
Structure	Resin Molded      Flammability: UL94V-0 (Equivalent)
Applications	Commercial Frequency Rectification, etc

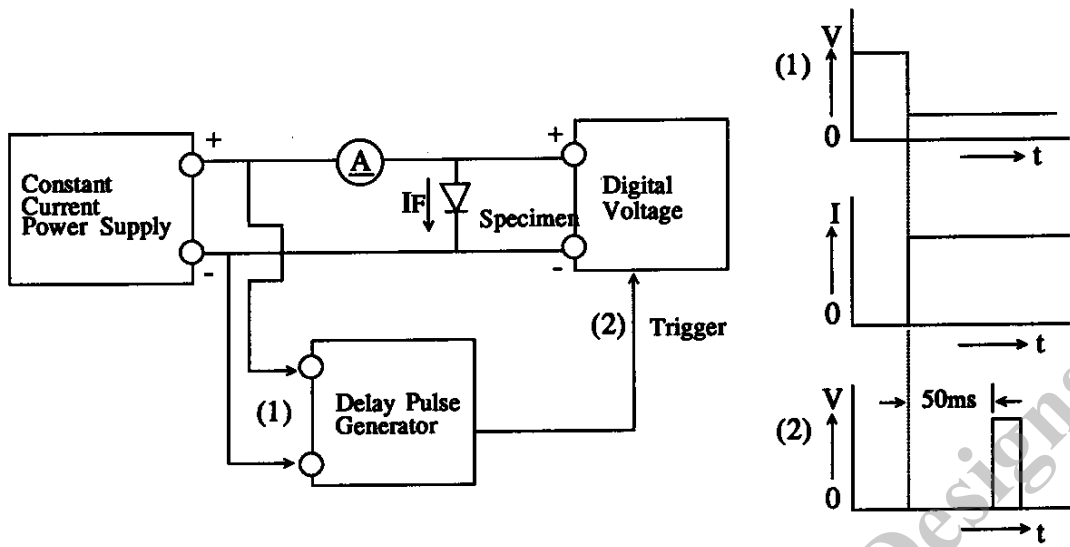
## 3 Absolute maximum ratings

No.	Item	Symbol	Unit	Rating	Conditions
1	Transient Peak Reverse Voltage	$V_{RSM}$	V	1050	
2	Peak Reverse Voltage	$V_{RM}$	V	1000	
3	Average Forward Current	$I_{F(AV)}$	A	1.2	Refer to derating curve in Section 6
4	Peak Surge Forward Current	$I_{FSM}$	A	100	10ms. Half sine wave, one shot
5	Junction Temperature	$T_j$	°C	-40 to +150	
6	Storage Temperature	$T_{stg}$	°C	-40 to +150	

## 4 Electrical characteristics (Ta=25°C, unless otherwise specified)

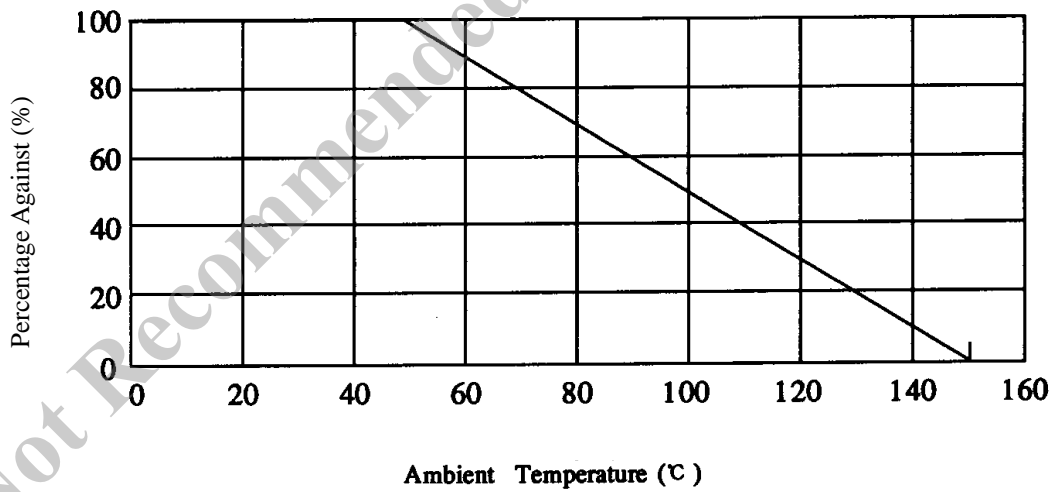
No.	Item	Symbol	Unit	Rating	Conditions
1	Forward Voltage Drop	$V_F$	V	0.91 max.	$I_F=1.5A$
2	Reverse Leakage Current	$I_R$	μA	10 max.	$V_R=V_{RM}$
3	Reverse Leakage Current Under High Temperature	$H \cdot I_R$	μA	50 max.	$V_R=V_{RM}$ , $T_j=100^\circ C$
4	Thermal Resistance	$R_{th(j-l)}$	°C/W	12 max.	Between Junction and Lead

5 順方向電圧降下測定方法および測定回路  
 $V_F$  test and test circuit



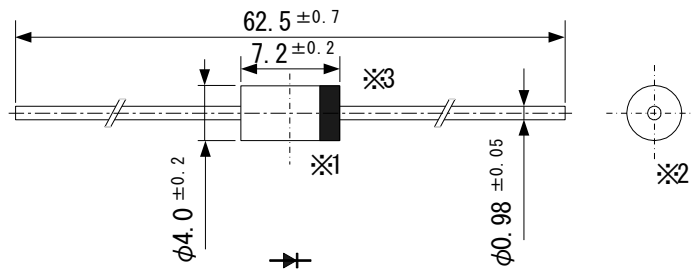
6 Derating

Derating to the ambient temperature  
 Power loss generated by voltage is not taken into consideration.



7 Package information

7-1 Package type, physical dimensions and material



- \*1 The allowance position of body against the center of whole lead wire is 0.5mm (max.)
- \*2 The centric allowance of lead wire against center of physical body is 0.3mm (max.)
- \*3 The burr may exist up to 2mm from the body of lead.

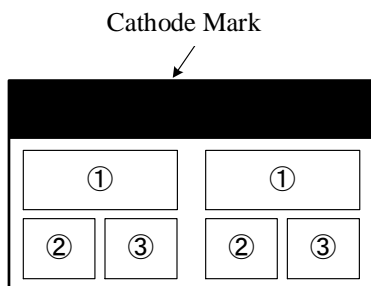
Dimensions in mm

7-2 Appearance

The body shall be clean and shall not bear any stain, rust or flaw.

7-3 Marking

- ① Type number : RM2C
- ② Lot number 1
  - First digit: Last digit of Year
  - Second digit: Month
  - From 1 to 9 for Jan. to Sep.
  - O for Oct., N for Nov., and D for Dec.
- ③ Lot number 2 (ten days)
  - Top of the month
  - Middle of month
  - End of month



The type No. and Lot. No. are to be marked in white.

Not Recommended for New Designs